


PRODUCT SHEET

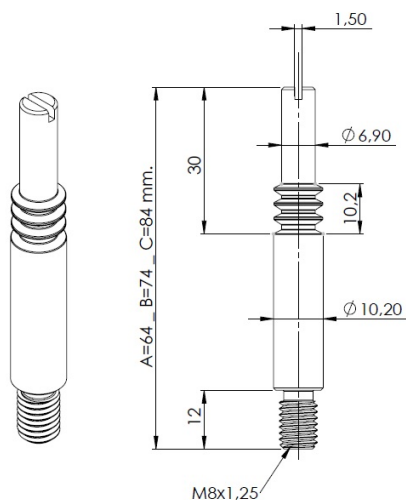
Description:

84mm Dowel Fuerte, \varnothing 11mm x 72mm + M8 x 12mm, Steel BZP

Item number:

11.03.625-3

| Units | Box | Carton | HS Code | Barcode |
|-------|-----|--------|------------|--|
| Pcs. | 1 | 400 | 7318190090 |  |
| | | | | 5704866012607 |



| | |
|---|-------------|
| A | 11.03.620-4 |
| B | 11.03.621-2 |
| C | 11.03.625-3 |

SISO A/S

Mileparken 11
DK-2740 Skovlunde
Denmark
VAT: DK 24786013

Phone +45 45 830 900

www.siso.dk
siso@siso.dk

Danske Bank
Nytorv Branch
Copenhagen
SWIFT: DABADKKK

Account no.
4180 3112 112936
IBAN Account
DK7230003112112936